



## GENERAL

Nominal Voltage	38.4V
Working Voltage	32.4V - 43.8V
Recommended Voltage	36.0V - 42.6V
Cells	12
Nominal Capacity	105Ah
Energy	4,032Wh
Reserve @25A	252 Minutes
Self Discharge	1% Per Month
IP Rating	IP67

## CHARGING

Recom. Charging Current	<52A
Max Charging Current	105A
Bulk/Absorb Voltage	42.6V
Float Voltage	42.0V or Off
Equalization	No
BMS High Voltage Cutoff	44.4V
Charging Temp. Range	34F to 130F

## PHYSICAL

Cell Chemistry	Lithium Iron Phosphate
Cell Type	Prismatic
Cell Configuration	1P12S
Series Connectable	No
Parallel Connectable	Yes, up to 2
Weight	70 lbs (42.6Kg)
Dimension LxWxH	13.37"X10.18"X11"
Terminal Type	M8 Female
Shell Type	Powder Coated Steel
UN Shipping Class	UN 3480

## SAFETY

Charging Freeze Protection	Yes, Under 34F
Pack Over-Voltage	Yes
Cell Configuration	Yes
Pack Under-Voltage	Yes
Cell Under-Voltage	Yes
Cell Over-Temp	Yes
BMS Over-Temp	Yes
Short Circuit/Over Current	Yes
Certifications	UN38.3, UL1642 Cell

## DISCHARGING

Max Continuous Discharge	175A
Max Discharge 3 Sec	600A
Max Discharge 30 Sec	300A
Recom. Voltage Cutoff	36.0V
BMS Voltage Cutoff	32.4V
BMS Voltage Recovery	34.8V
Discharge Temp Range	-10F to 140F

## COMMUNICATION

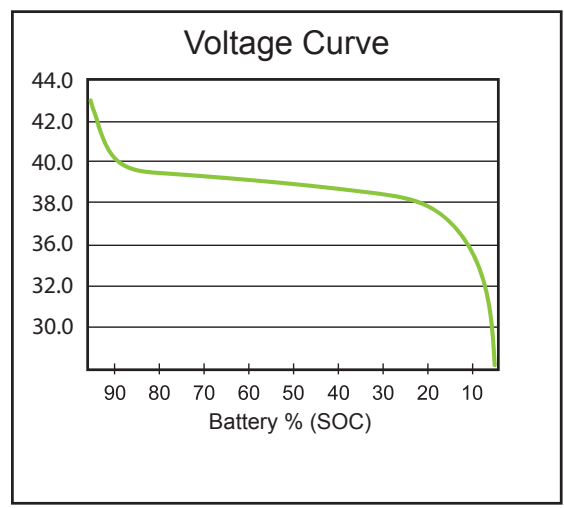
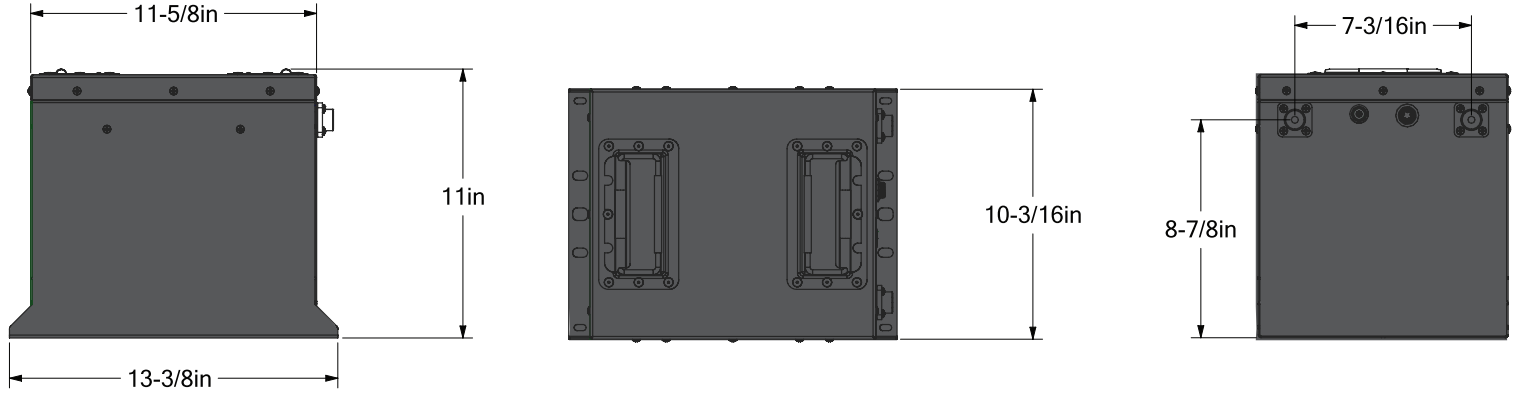
Bluetooth	Yes
CAN	Yes



335 Commerce Dr  
Hurricane, UT 84737  
877.326.2288



## DIMENSIONS



## LITHIUM VS LEAD ACID

