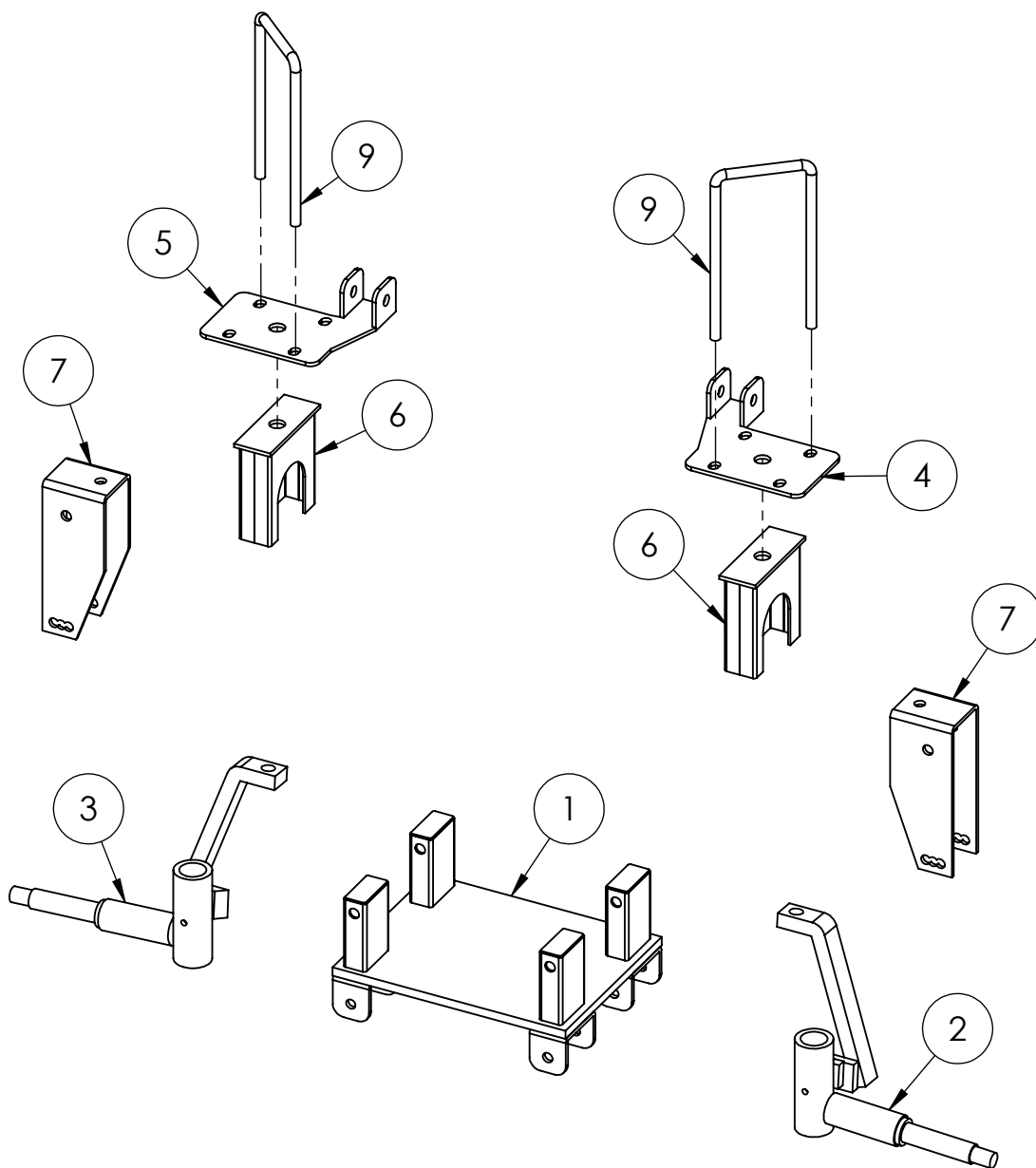


18142 - GTW 5" LIFT KIT FOR E-Z-GO RXV

WARRANTY PARTS EXPLODED VIEW DIAGRAM



18142

ITEM NO.	PART NO.	DESCRIPTION	QTY
1	W16-4-30	RXV Front Main Bracket	1
2	W16-4-35	RXV Front Spindle (Driver)	1
3	W16-4-36	RXV Front Spindle (Pass)	1
4	W16-4-38	RXV Rear Shock Plate (Driver)	1
5	W16-4-39	RXV Rear Shock Plate (Pass)	1
6	W16-4-41	RXV Rear Lift Block	2
7	W16-4-42	RXV Shock Mount Bracket	2
8	W16-4-40	RXV Hardware Pack	1
9	W16-8-34	U-Bolt 106mm x 180mm	2