

FOR ELECTRIC CARTS ONLY

**18-107
STRETCH KIT
FOR E-Z-GO® TXT®
& FREEDOM T48**

INSTALLATION INSTRUCTIONS

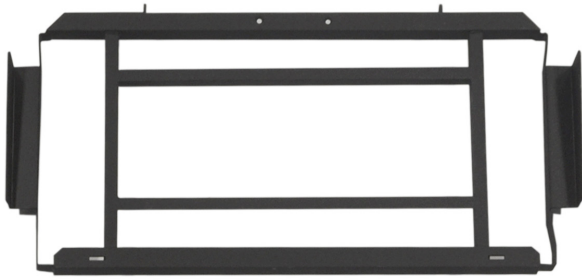
We recommend professional installation. If you choose to not have this product installed by a professional, we highly recommend that you exercise caution, care, and patience when installing this product as it involves cutting the vehicle in half and an intricate installation process.

INCLUDED:

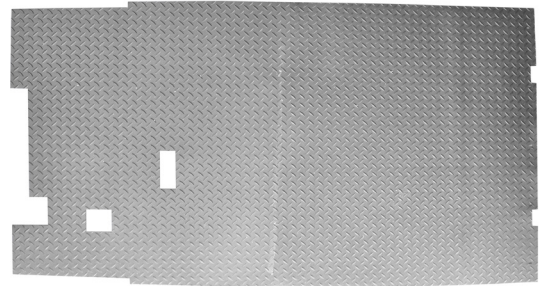
Thread locking adhesive
Frame extensions (2)
Outer Rail Extensions (2)
Cross Member
Large Floor Pan
Small Center Pan
Fwd/Rev extension harness
Key switch extension harness
Floor Mat
T48 throttle extension harness
Extended brake rod
Driver tail light extension harness
Pass tail light extension harness
Light kit power wire extension
Cup holder
Seat frame closeouts (2)
Rear grab bar
Seat Frame
Seat frame supports (2)
Rear Trim
Floor mat retainers (2)
Hardware Packs 1-5

TOOLS NEEDED:

Mechanic's Tool set
Cordless Drill
Chalk line
Tape measure
Rivet Gun
Sawzall/Skilsaw
8-10" Sawzall bi-metal Blade
Floor jacks
Jack stands
Speed square
Marking pen
Drill Set
Ratchet Strap



Seat Frame



Floor Mat



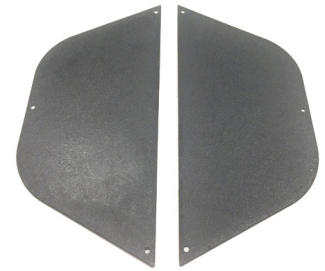
Small Center Pan



Large Floor Pan



Rear Trim



Seat Frame Closeouts



Seat Frame Supports (2)



Grab Bar



Cup holder



Cross member



Brake Rod



Frame extensions



Outer Rail Extensions



Floor Mat Retainers (2)



Key switch extension harness



Forward/Reverse Extension harness



T48 throttle switch extension harness



Passenger tail light extension harness with 3 pin connectors



Light kit power wire extensions



Driver tail light extension harness with 3 pin connectors

Note: These instructions were made from a stock E-Z-Go T48, the steps are universal to all TXT models. If you are installing this kit on a modified cart, you may experience differences with connectors and/or aftermarket parts.

PREPARATION FOR KIT INSTALLATION

Before beginning this installation process, we advise you read through the entire set of instructions beginning to end. Lay out all parts and hardware packs of the installation kit in an open area.

1) Turn Key switch off, switch cart into tow mode, remove front seat bottom and disconnect main battery cables from pack.

2) Remove and discard top canopy (*detach from top of vertical support struts and leave struts attached to vehicle*)

3) Remove and retain dash for later installation.

******Note: Take pictures of tear process to help during reinstallation.***

4) Disconnect the following accessories: Key switch, battery indicator meter, tail lights, and light kit power connections if applicable. Leave wiring in place for now.

******Note: It may help you to label or take pictures of these connections for reinstallation.***

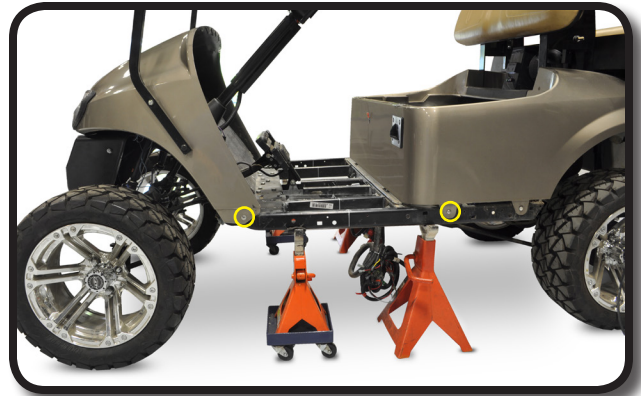
5) Remove side rocker panels and and discard floor mat.

6) Remove, disconnect and retain forward and reverse switch for later installation.

7) Floor Mat should be laid out flat on ground to release shipping humps and wrinkles.

NOW YOU ARE READY TO BEGIN YOU STRETCH KIT INSTALLATION PROCESS

1
Place golf cart on four jack stands. Be sure the jack stands are on the outside frame rail and level. Place front jack stands 6¹/₂" inches from front cowl rivet and place rear jack stands 3¹/₂" inches from rear body rivet. Chock wheels to avoid roll.



2
From under cart, pull OEM and accessory harnesses down from dash away from frame and towards rear, let hang from middle cross member.

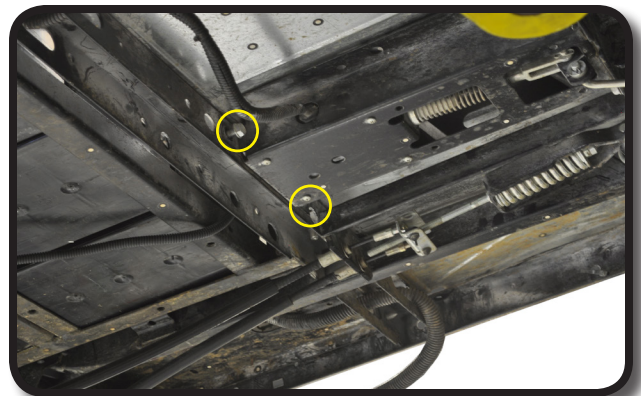
Note: There are tail light and light kit power connection extensions included with this kit. Leave the front half of your light kit in place as it is easier to extend the rear opposed to the front. Pull light kit harness to front of cart and secure during stretch installation.



3
Disconnect the brake linkage adjustment rod from cable equalizer bracket by removing the 1/2" and 9/16" nuts only. (Leave rod and cables in place) Retain hardware for later reinstallation.



4
Remove two rear bolts holding throttle assembly to middle cross member. Retain hardware.



Remove 12 rivets fastening metal floor pan and front of rear body to chassis.

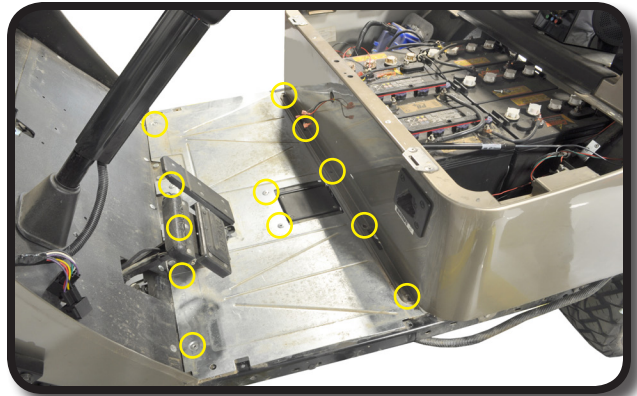
(5) From front of floor

(2) By accelerator box

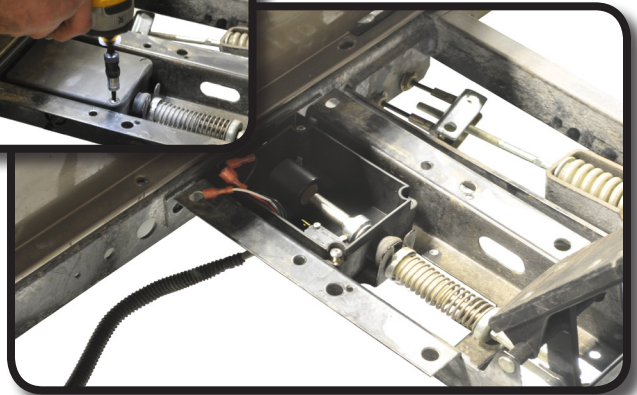
(5) Across front of body bottom

Carefully remove floor pan in one piece, maneuvering over accelerator pedal and retain for later installation.

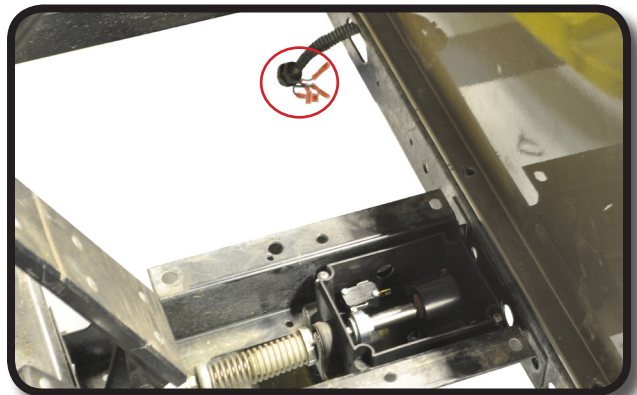
Note: Rear body does not need to be completely removed for installation of this stretch kit. It will help to remove the rivets keeping it in place to remove the floor pan.



Remove throttle box cover, locate throttle wiring and disconnect 4 wire contacts. Two at sensor and two micro switch. (Label for later reconnection).

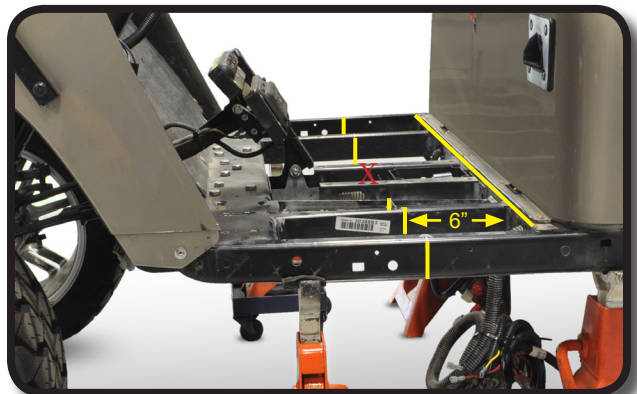


Unscrew plastic nut holding harness at box and pull back to middle cross member with other harnesses.



Mark 6" from front face of middle cross member. Mark two outside frame rails, two inside frame rails, and mark the brake support bar.

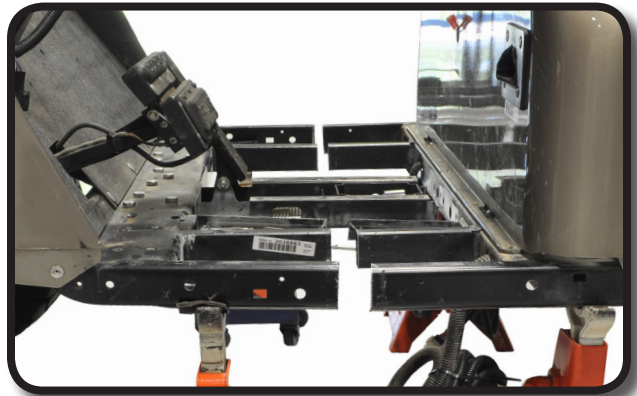
***Do not cut throttle box assembly bracket.**



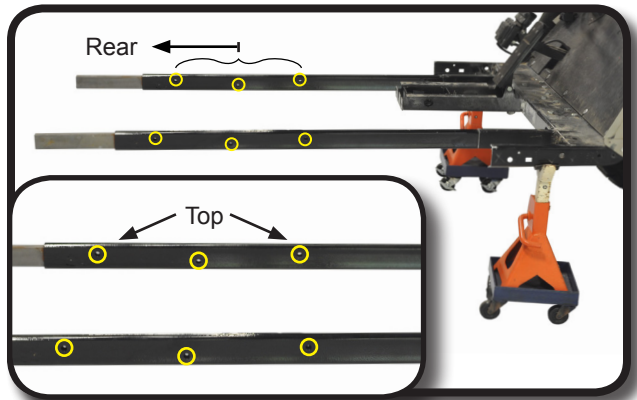
Note: Measure twice, cut once. You can not redo this step.

At marked locations, cut cart using a Sawzall with metal blade. Make your cuts straight top to bottom, 90 degrees to frame rails.

***Be careful not to cut throttle box assembly and its support bracket, as it has already been separated from rear half in Step 7.**

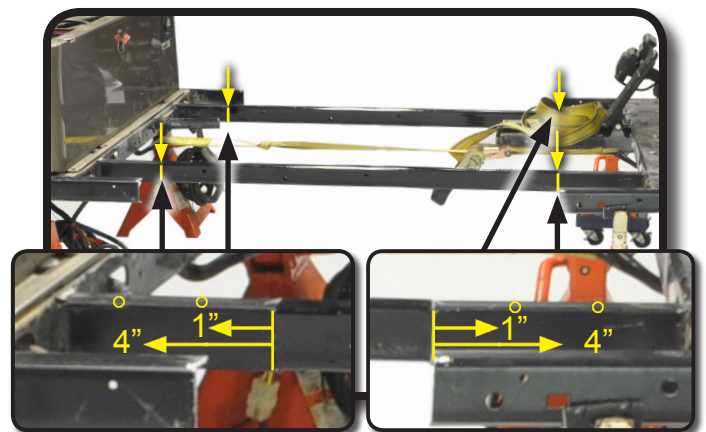


Insert both frame extensions into front and rear halves of inner frame tubing. Notice there is a top/bottom and front/rear. The two upper of the three side holes, indicate the top. All three holes will be closer to one end of the frame extension, indicating the rear.

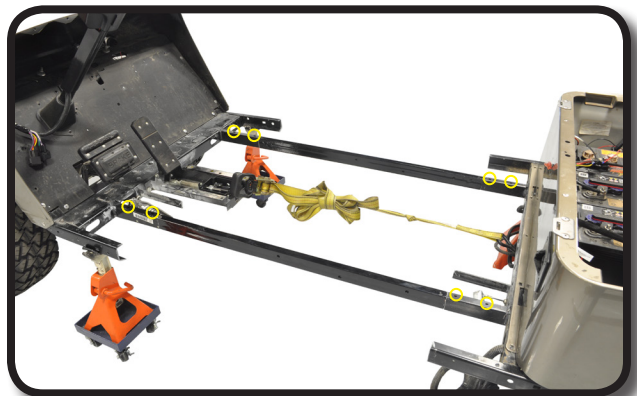


Attach ratchet strap at the center of the existing cart frame to pull front and rear of cart together tightly. Measure and mark 1" and 4" center locations from each painted steel end of frame extension towards existing cart frame.

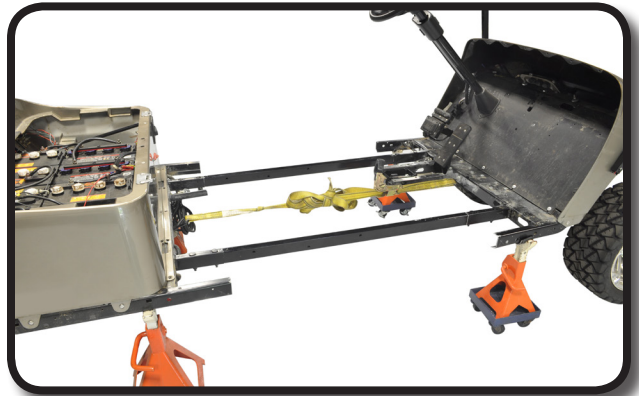
These locations are where the frame extensions will be secured to the factory frame.



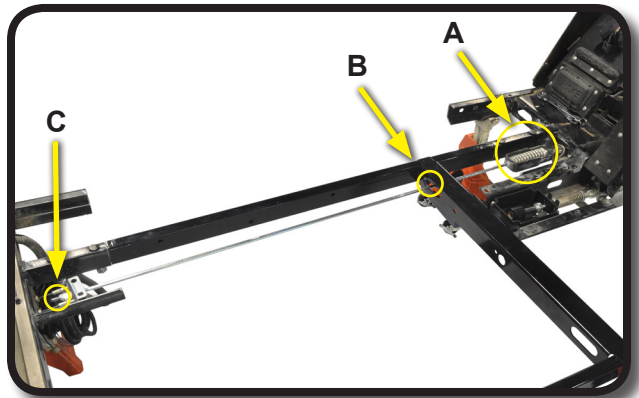
After marking the 8 bolt hole locations, drill pilot holes in all 8 locations using a 1/4" drill bit.



Now using a 21/24" bit, drill through the frame in the same 8 hole locations from Step 12. Using hardware from Pack 1, be sure to insert each flathead carriage bolt as final holes are drilled and attach with nylock nut until snug. Hit each carriage bolt head with hammer and fully tighten. Remove ratchet strap.



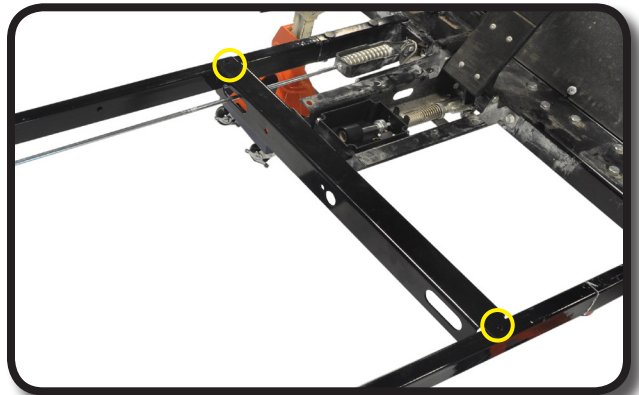
A) Remove the existing brake compensator assembly from bottom of brake pedal (Retain hardware). Remove short rod from tension spring (Retain hardware). Insert long brake linkage adjustment rod through OEM tension spring, in place of short rod and attach with retained hardware (Reattach to brake pedal after completing Part C).



B) Insert long brake rod with compensator through driver side holes in new cross member. Ensure the factory welded accelerator assembly mounting nuts on inside of cross member are on driver side facing forward.

C) While placing rod and cross member between frame rails, guide back of rod through brake cable equalizer bracket and let set in place. Using retained hardware from Step 3, attach brake cable equalizer to back end of rod.

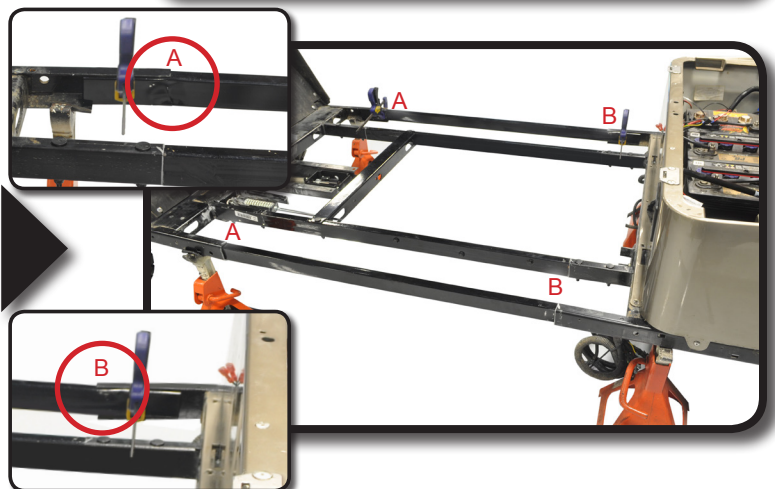
Aligning the factory holes and using hardware from Pack 1, insert flathead carriage bolts through cross member into frame and attach nuts. (Wait to tighten securely). Using retained hardware from Step 4, attach throttle assembly to new cross member at factory welded nuts. Now tighten all components securely.



Insert outer rail extensions into outer frame channels. Use clamps to keep in place.

***Note: Slight bends in tubing on each end of side rail extensions.**

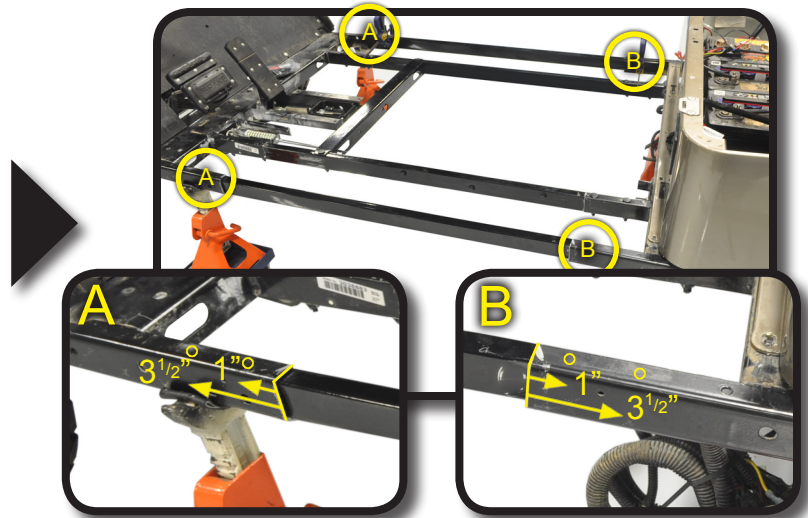
A) Front will bend towards inside of cart.
B) Back will bend towards outside of cart.



Measure and mark eight bolt hole locations for outside frame rail extensions.

With clamps in place, mark two locations on each existing outer frame rails for front/rear, passenger and driver sides. First at 1" and second at 3 1/2" from end of cuts in frame made in Step 9.

With clamps in place drill holes at eight locations using a 21/24" drill bit. As each hole is drilled, insert flathead carriage bolt with nut loosely attached using hardware from Pack 1. Hit carriage bolt head with hammer and tighten hardware.

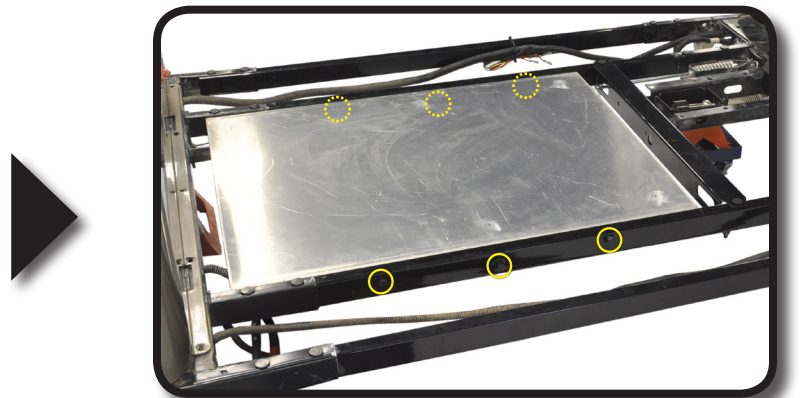


At this point you can route your oem and accessory wires back to the front. Use the supplied harness extensions to connect them back to the throttle, key switch, and FNR switch. For T48 models the FNR switch mounts to the center pod so leave it hanging until later.

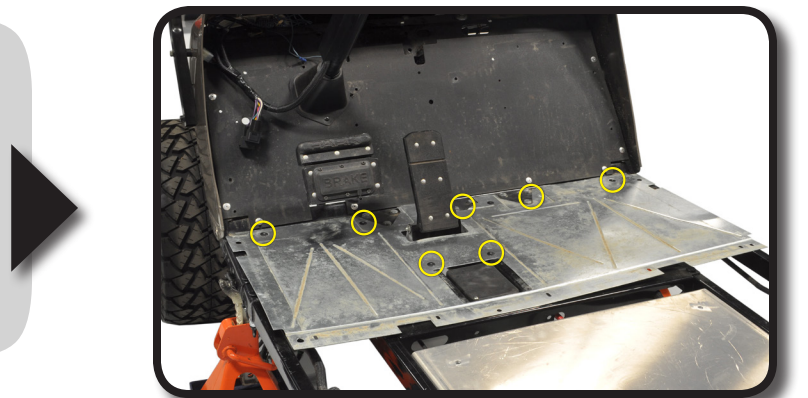
If you are installing a light kit or already have one installed, this kit comes with rear tail light extensions and a power wire extension. Some aftermarket light kits have different wiring schematics and may require the pins to be switched around to operate correctly.



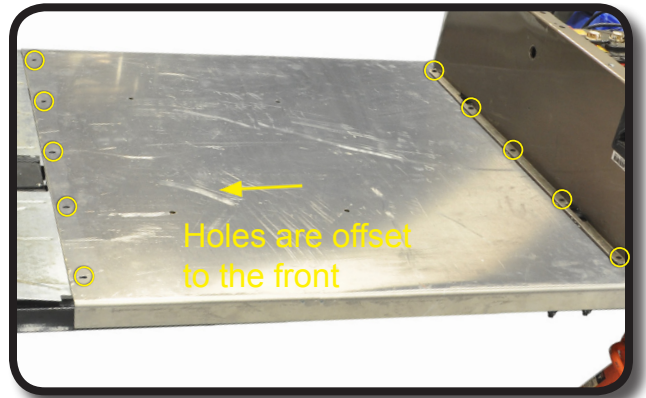
Place smaller center pan between inner frame rails and new/existing cross members. Line up and insert three bolts in factory hole locations at passenger and driver side locations of frame and pan. Attach and tighten using hardware from Pack 2.



Place OEM floor pan in its original position and align factory rivet holes at front edge of pan. Ensure excess rivet ends are punched out from drilling done in Step 5. Attach OEM floor pan using rivets from hardware Pack 4 in the 7 locations shown.

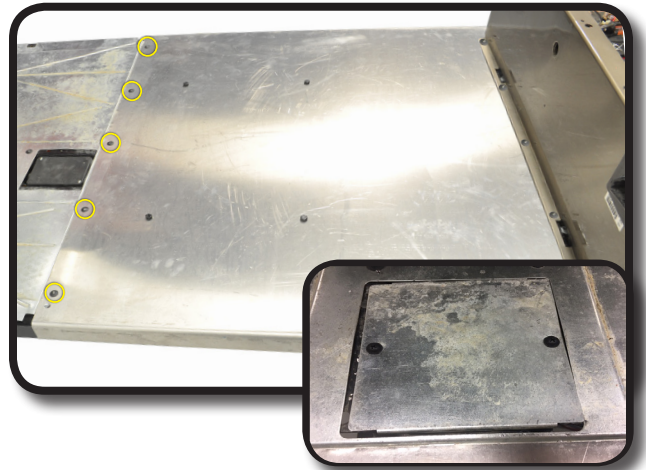


21 With notched end to the rear, place large floor pan over outer frame rails while sliding under rear body lip, and aligning the front edge with groove at rear of OEM floor pan. Align OEM rivet holes with front and rear holes in pan.



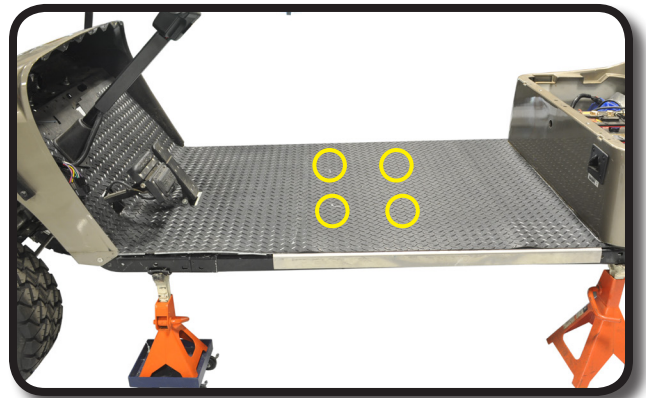
22 Install rivets from Pack 4 at five locations of front edge of floor pan. Place four bolts from hardware pack 3 into center of pan to keep it square while securing. Rear of pan will be attached later.

Reattach throttle box cover.

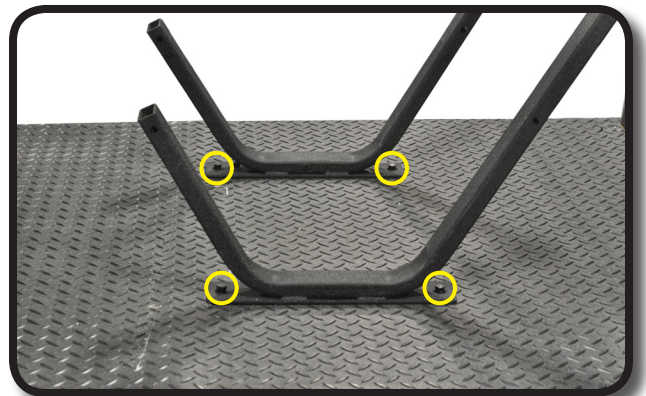


23 Slide floor mat over pedal assembly first and then under rear body.

Holding mat in place, drill holes in mat from under cart using four holes drilled in Step 22 as a guide.



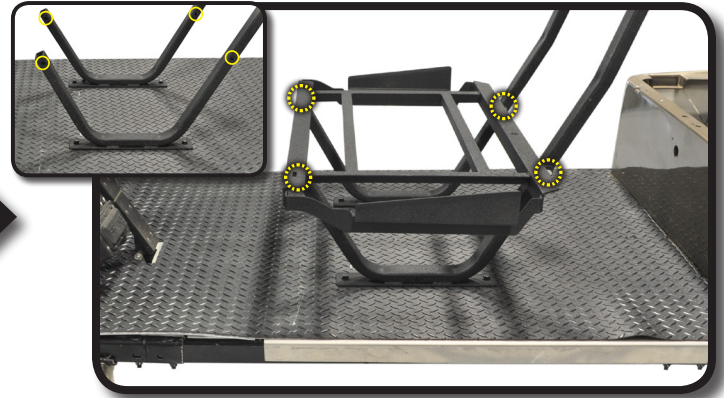
24 Install seat frame supports using 8mm x 30mm bolts and hardware from Pack 3. Do not tighten hardware yet.



25

Attach seat bottom bracket to seat frames using 8mm x 70mm bolts and hardware from Pack 3 at shown locations.

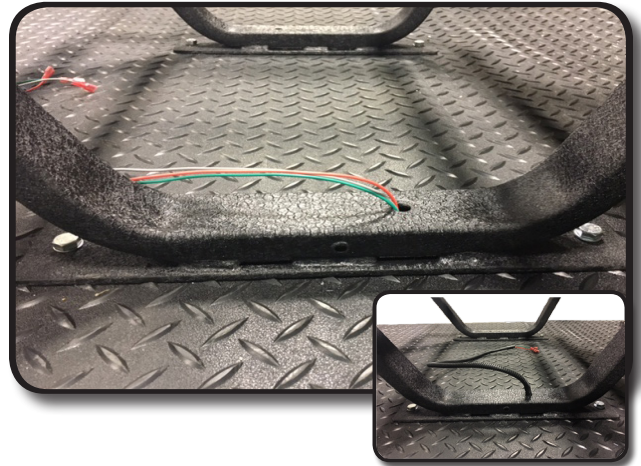
**If installing on a pre 2013 TXT skip to step 28.*



FOR FREEDOM T48 ONLY

26

For Freedom T48 models the FNR switch will be installed to the center pod. First route the FNR wires through the floor pan and into the access hole in the frame support as shown.



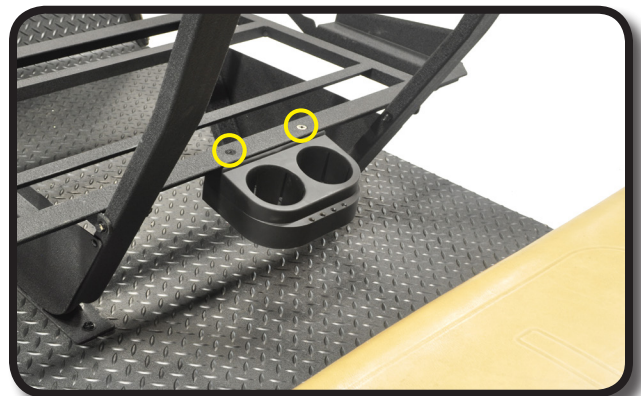
27

Attach factory FNR bezel to the front of the seat frame as shown using 8mm carriage bolts from Pack 5. Reattach switch and reconnect wires.



28

Attach cup holder at shown locations using 8mm countersunk bolts from Pack 3.



20 Install seat bottom using retained hinges.

Install grab bar to seat frame supports using 6mm x 40mm countersunk bolts. Once all four bolts are in place then tighten. Remaining holes will be used to attach seat back.

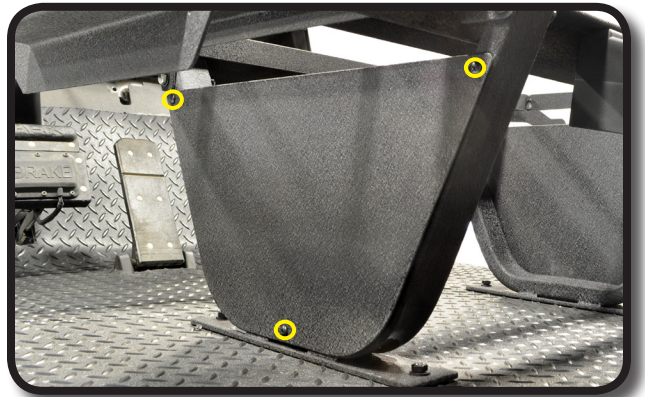


30 Install seat back to seat frame supports and grab bar using 1/4" x 2" bolts and washers from Pack 3.



31 Install seat plates with phillips head screws pre inserted into seat frame supports in three locations shown.

You can now tighten all hardware for center pod.

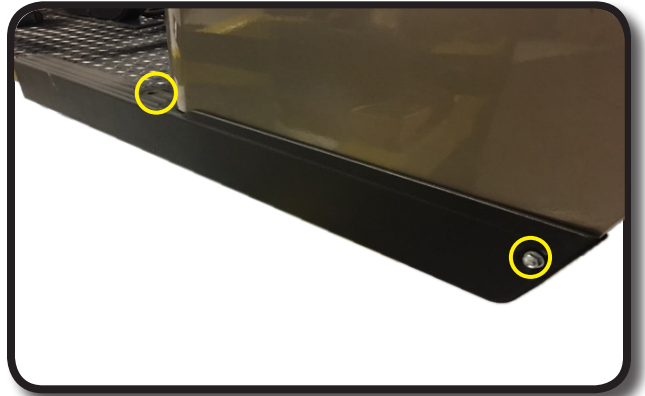


32 Place side skirts to front edge of floor as shown. Mark a straight line behind the pre drilled hole of the skirt and cut. Secure cut front section of skirt to cart using retained hardware.



33

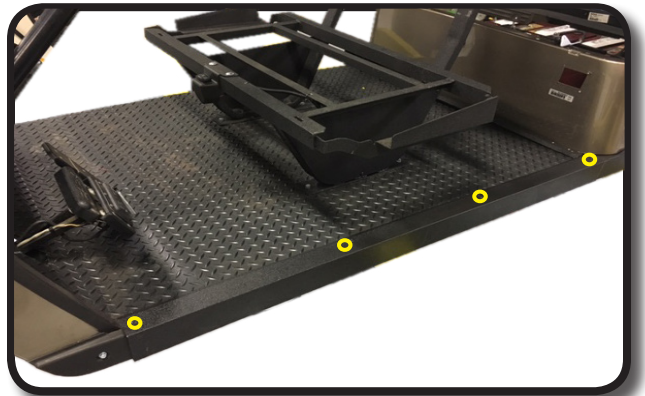
Attach remaining rear section of side skirts to cart using retained hardware as shown.



34

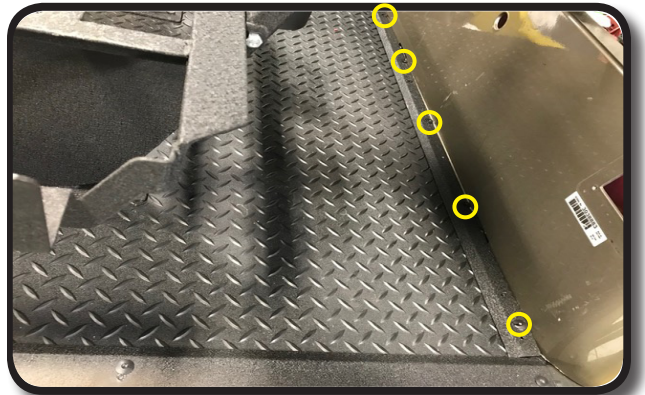
Place side floormat retainers along cart as shown. There are notches for the frame bolts on one end, these notches go to the front of the cart.

Using a 1/8" bit, drill four holes that are evenly spaced as shown. Secure using 8 rivets from Pack 4.



35

Attach rear trim to rear body and floor pan using 5 rivets from Pack 4 as shown. These rivets need to secure in rear body mounting tabs.



INSTALLATION COMPLETE

HARDWARE PACK (DACROMET COATED)

Pack 1 (for frame extensions and rails)

18 - 8mm x 65mm Flathead Carriage Bolts

18 - 8mm Washers

18 - 8mm Nylock Nuts

Pack 2 (for center small pan)

6 - 8mm x 45mm Hex Head Bolts

12 - 8mm Flat Washers

6 - 8mm Nylock Nuts

Pack 3 (center pod)

4 - 8mm x 30mm Hex Head Bolts

8 - 8mm Flat Washers

4 - 8mm Nylock Nuts

4 - 8mm x 70mm Hex Head Bolts

8 - 8mm Flat Washers

4 - 8mm Nylock Nuts

4 - 6mm Countersunk Bolts

4 - 6mm Flat Washers

4 - 6mm Nylock Nuts

2 - 8mm x 25mm Flathead Countersunk Bolts

2 - 8mm Flat Washers

2 - 8mm Nylock Nuts

4 - 1/4" x 2" Hex Head Bolts

4 - 1/4" Lock Washers

4 - 1/4" Flat Washers

Pack 4 (for OEM and stretch kit floor pans, body, forward/reverse switch, and dash)

54 - 6mm x 26mm with 16mm head Rivets

Pack 5

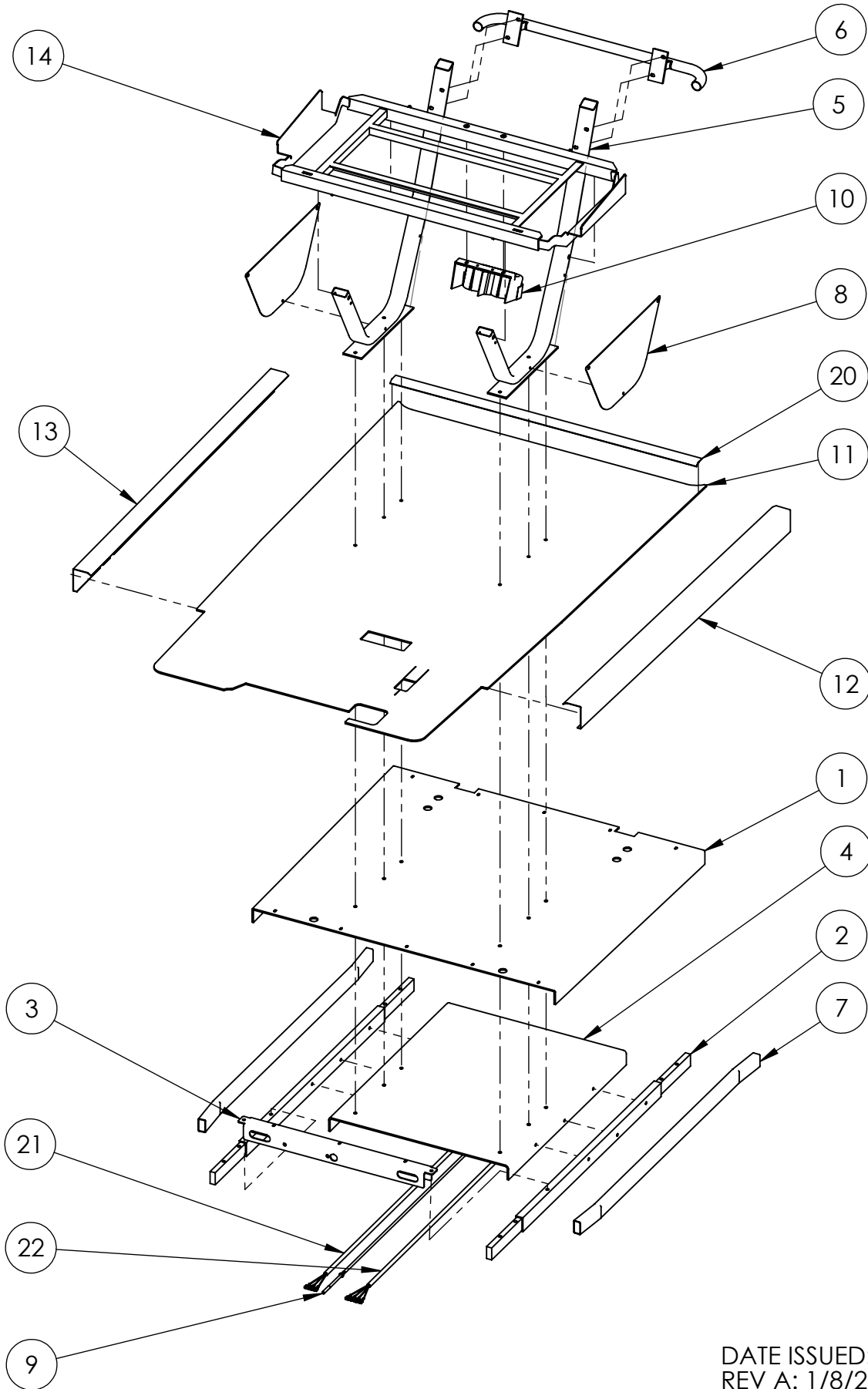
8 - Small Tie Wraps

2 - 8mm x 20mm Carriage Head Bolts (T48 only)

2 - 8mm Flat Washers (T48 only)

2 - 8mm Nylock Nuts (T48 only)

18-107 E-Z-GO TXT STRETCH KIT ASSEMBLY
WARRANTY PARTS EXPLODED VIEW DIAGRAM
(SEE SHEET 2 of 2 FOR ASSEMBLY BOM)



18-107 E-Z-GO TXT STRETCH KIT ASSEMBLY **WARRANTY PARTS EXPLODED VIEW DIAGRAM**

SHEET 2 OF 2

(SEE SHEET 1 OF 2 FOR EXPLODED ASSEMBLY VIEW)

ITEM NO.	PART NUMBER	DESCRIPTION	QTY.
1	W18-107-1	EZGO TXT STRETCH FLOOR PLATE	1
2	W18-107-2	EZGO TXT STRETCH FRAME MIDDLE BEAM	2
3	W18-107-3	EZGO TXT STRETCH FRONT FLOOR PLATE SUPPORT BRACKET	1
4	W18-107-4	EZGO TXT STRETCH SUB PLATE	1
5	W18-107-5	EZGO TXT STRETCH SEAT BRACKET	2
6	W18-107-6	EZGO TXT STRETCH GRAB BAR	1
7	W18-107-7	EZGO TXT STRETCH OUTER FRAME SUPPORT BEAM	2
8	W18-107-8	EZGO TXT STRETCH SEAT BRACKET TRIM	2
9	W18-107-9	EZGO TXT STRETCH COMPENSATOR ADJUSTMENT ROD	1
10	W18-107-10	EZGO TXT STRETCH CUP HOLDER	1
11	W18-107-11	EZGO TXT STRETCH FLOOR MAT	1
12	W18-107-12	EZGO TXT STRETCH ROCKER PANEL COVER - DRIVER	1
13	W18-107-13	EZGO TXT STRETCH ROCKER PANEL COVER - PASSENGER	1
14	W18-107-14	EZGO TXT STRETCH SEAT FRAME ASSEMBLY	1
15	W18-107-15	HARDWARE PACK 1 (FOR FRAME RAIL)	
-		8mm X 65mm HEX HEAD BOLT	18
-		8mm FLAT WASHER	18
-		8mm NYLOCK NUT	18
16	W18-107-16	HARDWARE PACK 2 (FOR CENTER SMALL PAN)	
-		8mm X 45mm HEX HEAD BOLT	6
-		8mm FLAT WASHER	12
-		8mm NYLOCK NUT	6
17	W18-107-17	HARDWARE PACK 3	
-		8mm X 30mm HEX HEAD BOLT	4
-		8mm FLAT WASHER	18
-		8mm NYLOCK NUT	10
-		8mm X 70mm HEX HEAD BOLT	4
-		6mm HEX HEAD BOLT	8
-		8mm X 25mm FLATHEAD BOLT	2
-		SEAT HINGE	2
-		4mm X 25mm WOOD SCREW	6
-		4mm X 15mm FINE THREAD SCREW (SEAT PLATES)	6
18	W18-107-18	HARDWARE PACK 4 (FOR OEM AND STRETCH KIT FLOOR PANS, BODY, FORWARD/REVERSE SWITCH, AND DASH)	
-		M5 X 20 RIVETS	54
19	W18-107-19	HARDWARE PACK 5	
-		STICKY PADS	8
-		SMALL TIE WRAP	8
-		RUBBER GROMMET 13mm ID X 20mm OD	1
20	W18-107-20	EZGO TXT STRETCH REAR TRIM PLATE	1
21	W18-107-21	EZGO TXT STRETCH FNR WIRE HARNESS EXTENSION	1
22	W18-107-22	EZGO TXT STRETCH KEY SWITCH WIRE HARNESS EXTENSION	1

DATE ISSUED: 6/22/2017
REV A: 1/8/2018