



ALPHA BRUSHGUARD

Designed for Alpha Body Kit Only **Part # 14-020**



INSTALLATION INSTRUCTIONS

TOOLS NEEDED

- 14mm Socket
- 13mm Socket
- 17mm Wrench
- 17mm Socket
- Cordless Drill

ITEMS INCLUDED

- Brushguard
- Mounting Plate

- Hardware Pack
- 2- 8mm x 95mm Hex Head Bolts
- 4 - 8mm Flat Washers
- 2 - 8mm Nylock Nuts
- 4 - 10mm x 35mm Hex Head Bolts
- 8 - 10mm Flat Washers
- 4 - 10mm Nylock nuts

We recommend professional installation. If you choose to not have this product installed by a professional, we highly recommend that you exercise caution, care, and patience when installing this product.



Brushguard



Mounting Plate

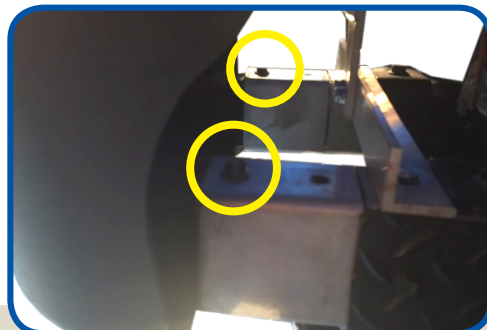
STEP 1

Switch key to OFF position and engage parking brake.



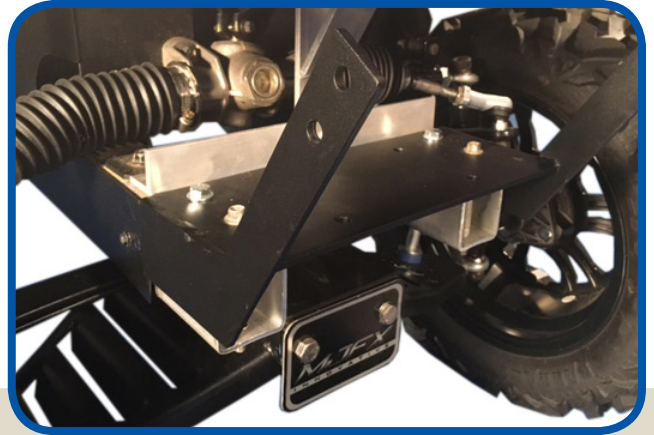
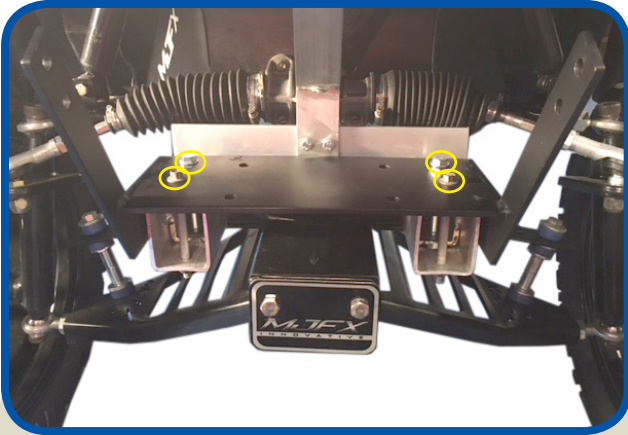
STEP 2

Remove OEM front bumper and retain hardware as shown.



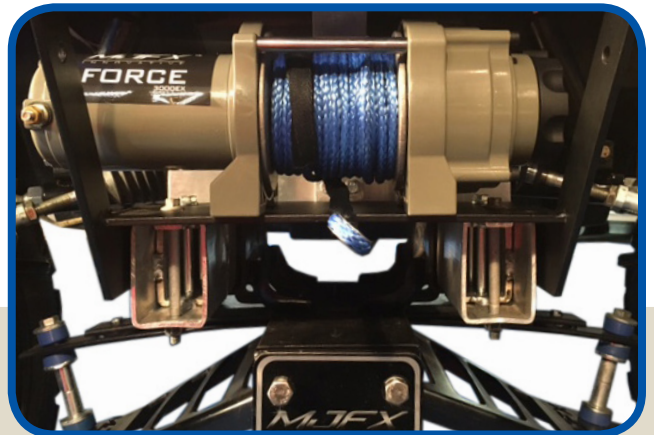
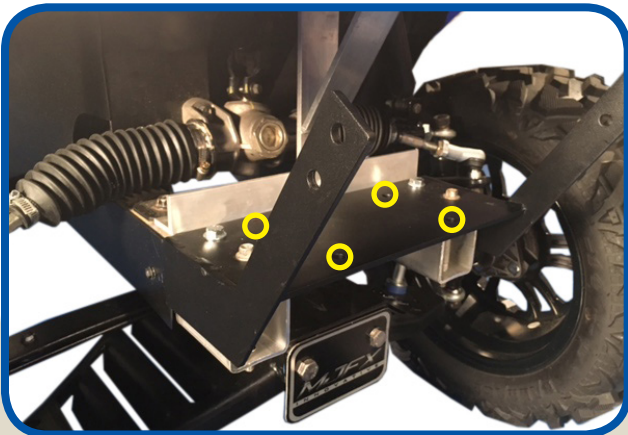
STEP 3

Attach mounting plate to frame extensions using retained hardware and supplied 8mm x 95 mm bolts.



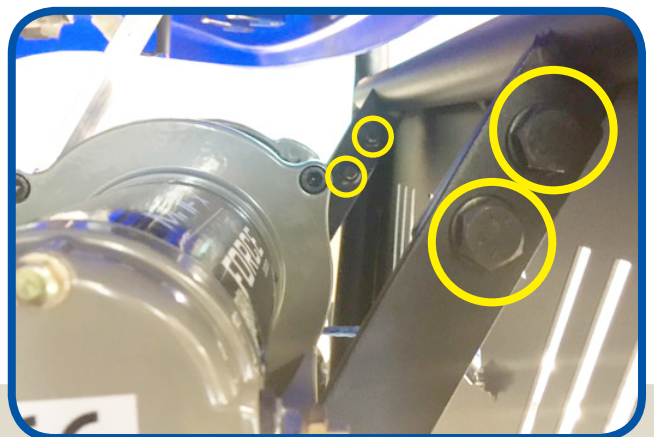
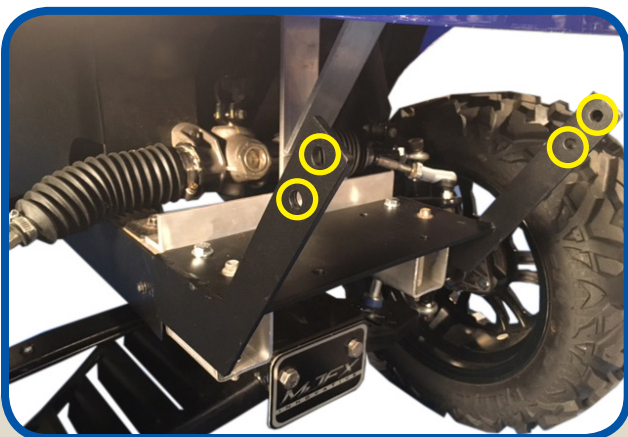
STEP 4

NOTE: If installing a MJFX winch do so now. Using supplied winch hardware bolt winch to four marked mounting locations



STEP 5

Attach brushguard to mounting plate arms as shown. Once all four supplied 10mm x 38mm bolts are in place then tighten.

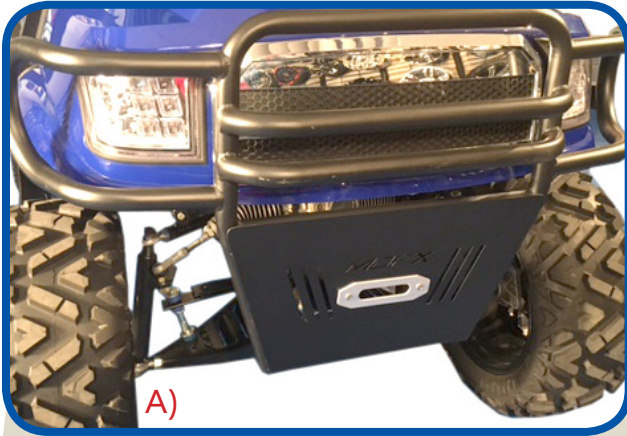


IF INSTALLING WINCH:

STEP 6

A) With Brush guard secured, remove winch hole cover plate.

B) The MJFX winch comes with a new stainless steel plate that will bolt on using the same hardware. After plate is installed pull nylon rope through hole and attach supplied hook.



INSTALLATION COMPLETE