



13-031

CHARGING CENTER

INSTALLATION INSTRUCTIONS

TOOLS NEEDED: (NOT PROVIDED)

- Marking Pen
- Cutting Tool
- Phillips Head Screwdriver

INCLUDED:



Charging Center



4 screws

Madjax® recommends professional installation. If you choose to not have this product installed by a professional, we highly recommend that you exercise caution, care, and patience when installing this product as it involves drilling holes into your bodywork. The Madjax® Limited Warranty only covers defects in materials and workmanship, and does not cover damage due to improper installation. If you are having difficulty installing this product, contact your Authorized Madjax® Dealer.

IMPORTANT: If you have a 8 volt battery hook up. You will need to use a Madjax® 16/12 voltage reducer (MJ1612VR).

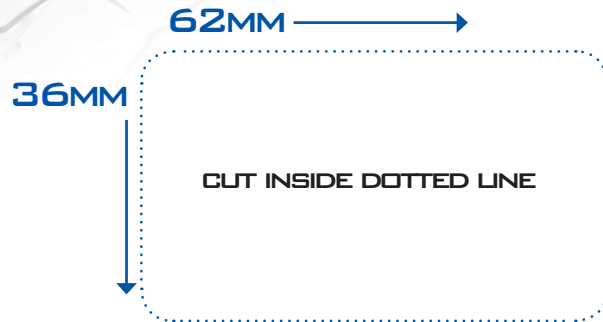
Location may vary based on user. Be sure to install the charging center in a area where it can reach a 12 volt power source.

Chose desired location to install on your golf cart. Align template to location and use a marking pen to mark location as shown. Use a cutting tool to remove the unwanted plastic. Insert charging center.



CHARGING CENTER TEMPLATE

13-031- CHARGING CENTER



WWW.MYMADJAX.COM