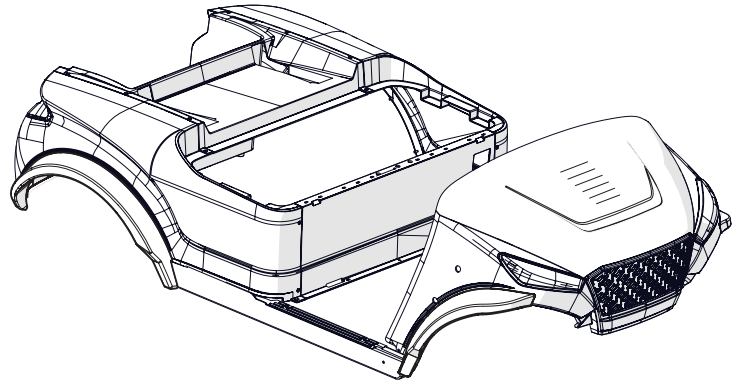


MADJAX

Part # 03-156 Storm[®] Fender Flares



ITEMS INCLUDED

- Driver & Passenger Side Front Fender Flares
- Driver & Passenger Side Rear Fender Flares
- Driver & Passenger Side Rear Fender Mounting Brackets
- Hardware Kit

TOOLS NEEDED

- Drill
- 7/32" Drill Bit
- Rivet Gun
- Marker

STEP 1

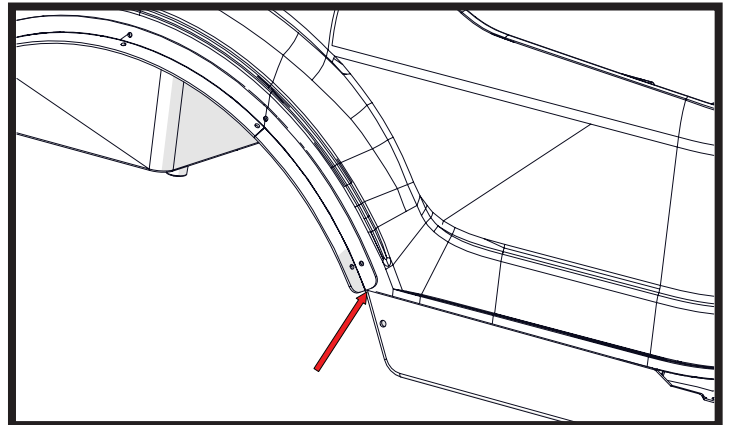
Engage the parking brake and place the vehicle on jack stands. Remove wheels.

Installing Rear Fender Flares

STEP 2



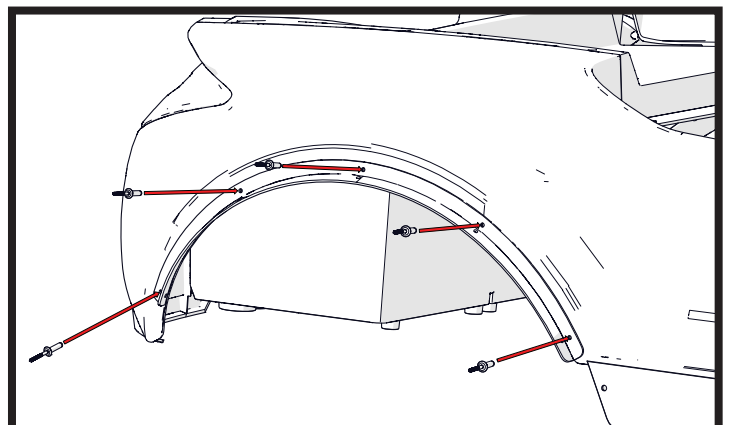
Use the L-shaped fender mounting bracket to layout the mounting holes on the vehicle. The front end of the mounting bracket will touch the top edge of the rocker panel, and the inside edge of the bracket should be flush with edge of the body around the wheel well. With the bracket held in this position and flush against the vehicle body, mark the mounting holes on the body. Remove the mounting bracket and drill 7/32" holes into the body.



STEP 3



Once the holes are drilled, rivet the bracket into place using 5mm rivets.

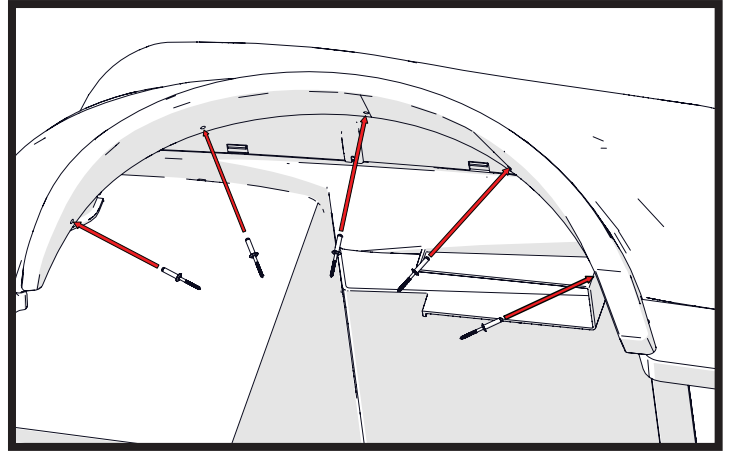


STEP 4



Place the fender flare onto the bracket. Make sure the holes on the bottom of the fender flare line up with the mounting bracket. Rivet the fender flare to the mounting bracket using 5mm rivets.

Repeat steps 2 - 4 on the opposite side.

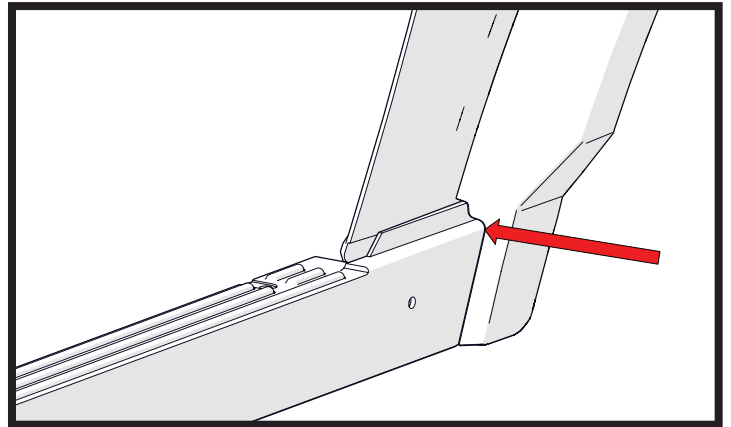


Installing Front Fender Flares

STEP 1



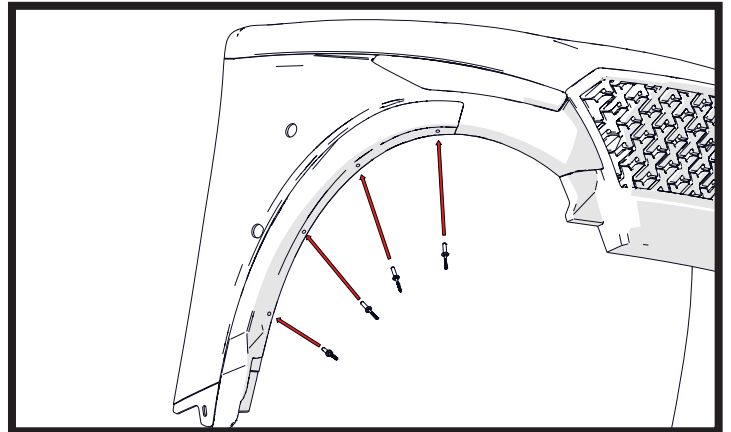
Place the front fender flare against the front body of the vehicle. The inside corner should contact the rocker panel as shown. With the fender flare held in place, use a marker to mark the mounting holes onto the front body, inside the wheel well. Remove the fender flare and drill the marked holes with a 7/32" drill bit.



STEP 2



Attach the fender flare to the vehicle using 5mm rivets.

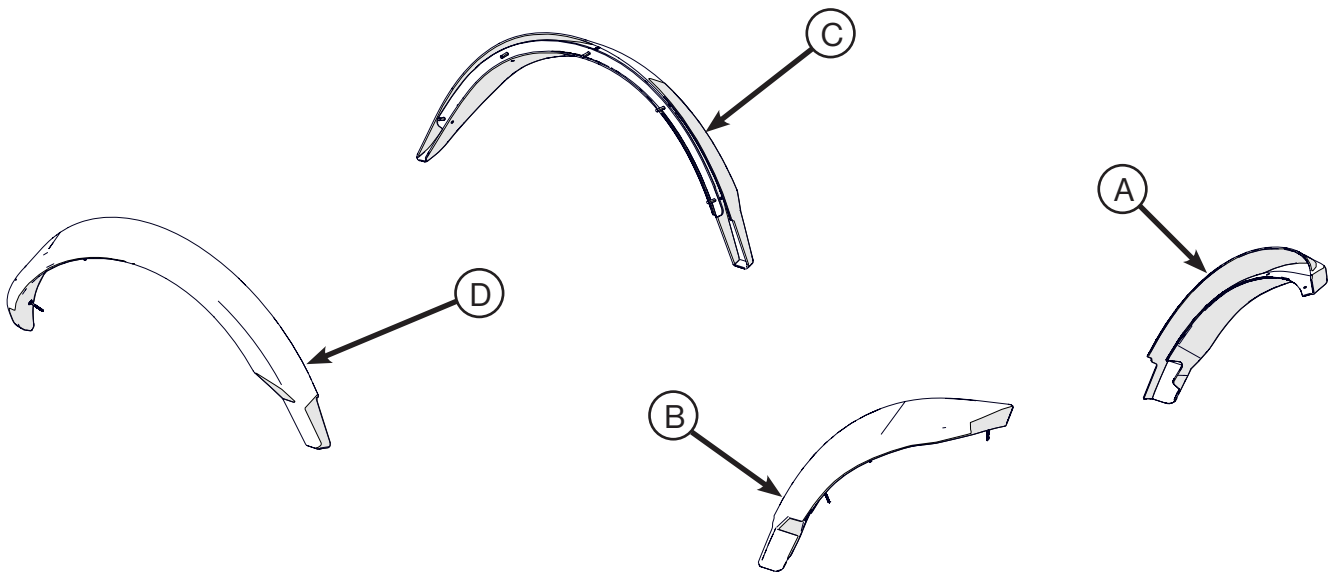


STEP 3

Repeat steps 1 - 2 on the opposite side.

INSTALLATION COMPLETE

E-Z-GO®, TXT®, RXV® and S4® are registered trademarks of Textron Innovations, Inc. Club Car®, Precedent®, DS®, Onward® and Tempo® are registered trademarks of Ingersoll Rand, Inc. Yamaha®, Yamaha® Drive®, Drive2®, G-14®, G-16®, G-19®, G-22® and G-29® are registered trademarks of Yamaha Golf-Car Company. Any reference to Club Car®, E-Z-GO®, or Yamaha® or their associated trademarks, word marks, and products are only for purposes of identifying golf carts with which this MadJax product is compatible. MadJax products are aftermarket parts and are not original equipment parts. MadJax is not connected to, affiliated with, sponsored by, or endorsed by either Textron Innovations, Inc., Ingersoll Rand, Inc., Yamaha Golf Cart Company, or any of their parent or subsidiary companies.



ITEM	PART NUMBER	DESCRIPTION
A	03-156-1	FENDER FLARES, STORM, FRONT DS
B	03-156-2	FENDER FLARES, STORM, FRONT PS
C	03-156-3	FENDER FLARES, STORM, REAR DS
D	03-156-4	FENDER FLARES, STORM, REAR PS
-	03-156-5	FENDER FLARES, STORM, HARDWARE KIT