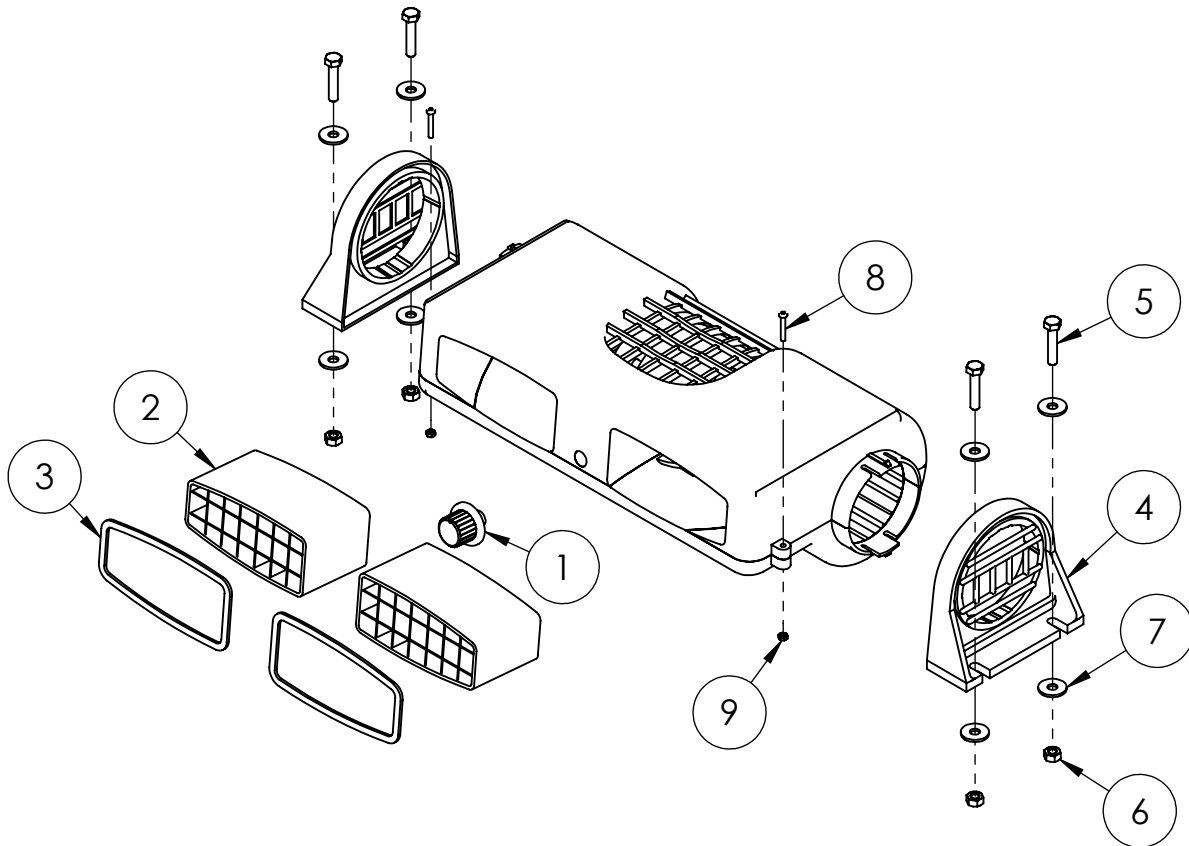


FAN SYSTEM - 03-001 (12v) / 03-010 (24v)

WARRANTY PARTS EXPLODED VIEW DIAGRAM



FAN SYSTEM - 03-001 (12v) / 03-010 (24v)			
ITEM#	DESCRIPTION	PART#	QTY
1	Fan Knob	W03-1-4	1
2	Fan Vent	W03-1-5	2
3	Fan Vent Cover	W03-1-6	2
4	Fan Mounting Attachment	W03-1-7	2
	Hardware Pack	W03-1-8	1
5	M6x30 Hex Bolt		4
6	M6 Hex Nut		4
7	M6 Washer		8
8	M3x20 Screw		2
9	M3 Nut		2

Date Revised: 10/26/15 (Added Part# 03-010)