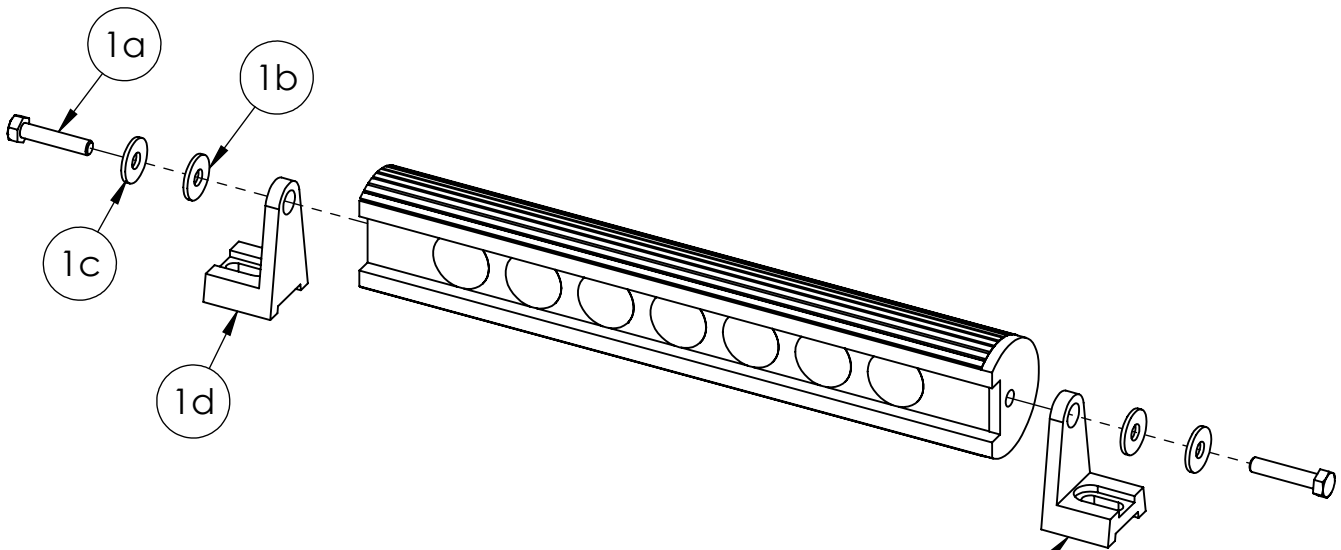


02-025 - 11" LED LIGHT BAR

WARRANTY PARTS EXPLODED VIEW DIAGRAMS



Brackets can be installed facing the opposite direction as well

02-025 - 11" LED LIGHT BAR			
ITEM NO.	DESCRIPTION	PART NO.	QTY
1	Hardware Pack	W02-126	1
1a	M6x20 Hex Head Bolts		2
1b	M6 Flat Washers		6
1c	M6 Lock Washers		2
1d	Brackets		2
1e	M6x25 Hex Head Bolts (not shown)		2
1f	M6 Lock Nuts (not shown)		2