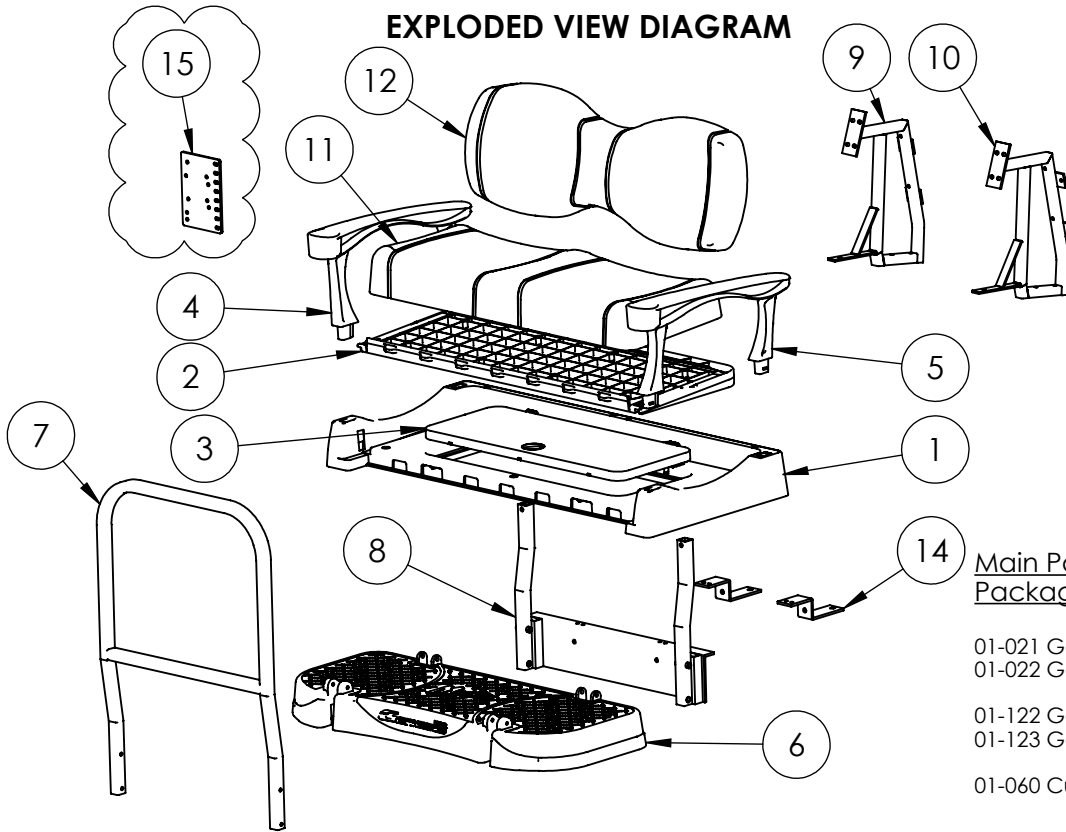


GENESIS 300/250 REAR DELUXE SEAT FOR YAMAHA DRIVE2

WARRANTY PARTS

EXPLODED VIEW DIAGRAM



Main Part # References by Packaging for this Assembly:

01-021 Genesis300 Box-1
01-022 Genesis250 Box-1

01-122 Genesis300 Box-2
01-123 Genesis250 Box-2

01-060 Cushion Set - Grey

GENESIS 300/250 REAR DELUXE SEAT FOR YAMAHA DRIVE2

ITEM NO.	DESCRIPTION	PART NUMBER	QTY.
1	MAIN POLY FRAME (GENESIS 300 - ALUMINUM)	W01-9-107	1
	OR MAIN POLY FRAME (GENESIS 250 - STEEL)	W01-9-1	
2	FLIP POLY FRAME	W01-9-2	1
3	SEAT DOOR	W01-9-106	1
4	ARMREST - DRIVER SIDE	W01-9-4	1
5	ARMREST - PASSENGER SIDE	W01-9-5	1
6	FOOT PLATE (GENESIS 300 - ALUMINUM)	W01-9-105	1
	OR DRIVE FOOTPLATE (GENESIS 250 - STEEL)	W01-9-6	
7	DRIVE GRAB BAR (GENESIS 300 - ALUMINUM)	W01-9-74	1
	DRIVE GRAB BAR (GENESIS 300 - ALUMINUM)	W01-9-84	
8	DRIVE FOOT PLATE MOUNTING BRACKET (GENESIS 300 - ALUMINUM)	W01-9-49	1
	DRIVE FOOT PLATE MOUNTING BRACKET (GENESIS 250 - STEEL)	W01-9-50	
16	DRIVE2 SEAT BRACKET - DRIVER	W01-9-108	1
10	DRIVE2 SEAT BRACKET - PASSENGER	W01-9-109	1
11	DRIVE SEAT BOTTOM CUSHION - GREY	W01-9-55	1
12	DRIVE SEAT BACK CUSHION - GREY	W01-9-56	1
13	HARDWARE PACK - DRIVE2 (NOT SHOWN IN DIAGRAM)	W01-9-110	1
14	DRIVE FOOT PLATE MOUNTING SUPPORT BRACKET (GENESIS 300 - ALUMINUM)	W01-9-26	2
	OR DRIVE FOOT PLATE MOUNTING SUPPORT BRACKET (GENESIS 250 - STEEL)		
15	LEAN BACK BRACKET (BRACKET CAN GO ON EITHER SIDE)	W01-9-97	2