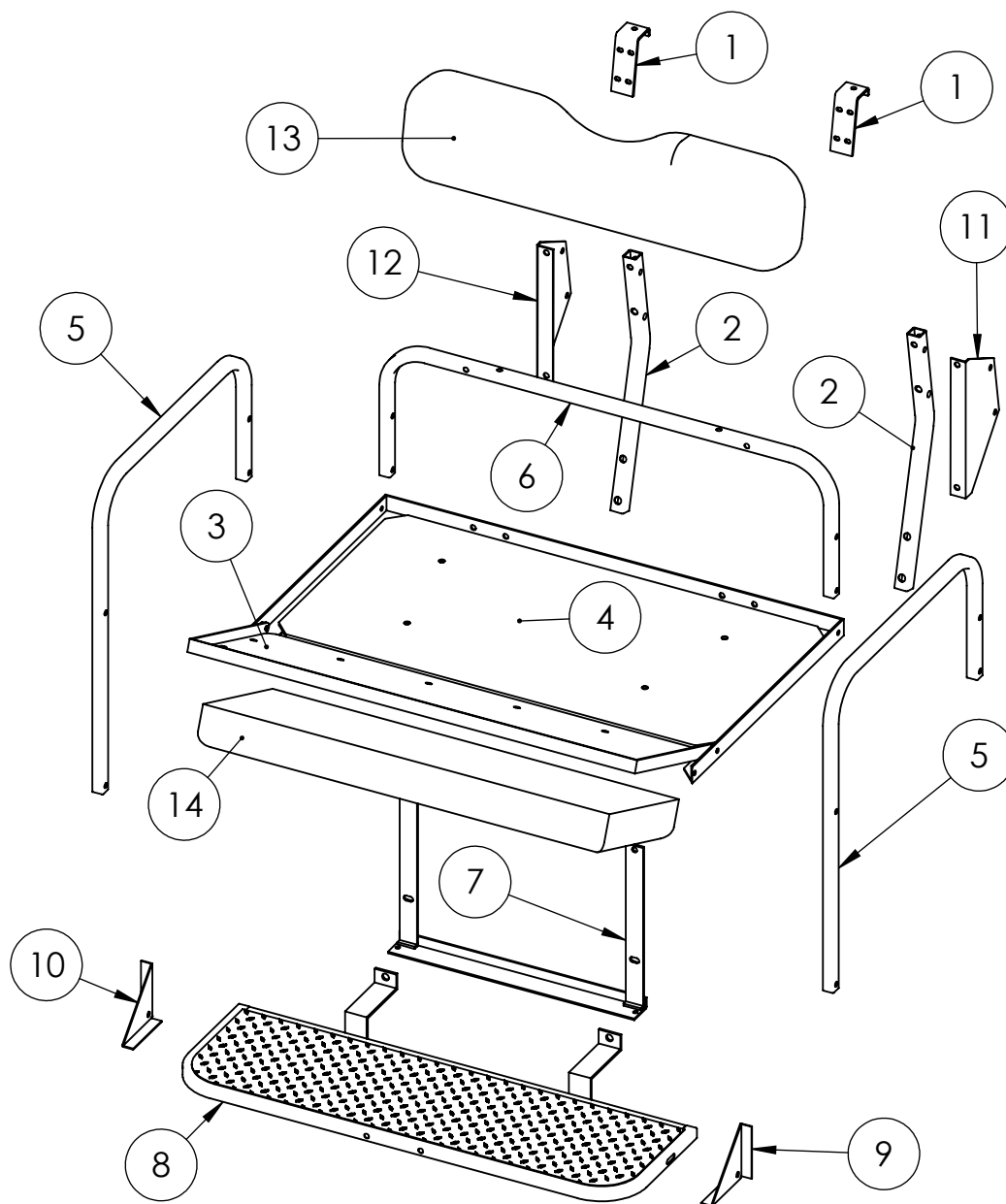


# 01-010/011 GENESIS150 REAR FLIP SEAT FOR E-Z-GO RXV (010-SANDSTONE / 011-OYSTER)

## WARRANTY PARTS EXPLODED VIEW DIAGRAM



ITEM NO.	PART NO.	DESCRIPTION	QTY
1	W01-8-8	Lean Back Bracket	2
2	W01-4-11	Rear Strut Support	2
3	W01-8-14	Flip Poly Board	1
*4	W01-8-15	Main Poly Board	1
5	W01-4-2	Arm Rest	2
6	W01-8-5	Horizontal Frame Bracket	1
7	W01-4-3	Bagwell Bracket	1
8	W01-4-1	Foot Plate	1
9	W01-8-4	Foot Plate Bracket-Pass	1
10	W01-8-3	Foot Plate Bracket-Driver	1

ITEM NO.	PART NO.	DESCRIPTION	QTY
11	W01-4-5	Main Bracket-Pass	1
12	W01-4-4	Main Bracket-Driver	1
13	W01-4-7P	Rear Lean Back Cushion-Sandstone	1
	W01-4-9P	Rear Lean Back Cushion-Oyster	1
14	W01-4-8P	Rear Seat Cushion-Sandstone	1
	W01-4-10P	Rear Seat Cushion-Oyster	1
15	W01-4-6	Hardware Pack	1

\* Item#4 - The Warranty Part# is W01-8-17 for the Main Frame w/ Polyboard